



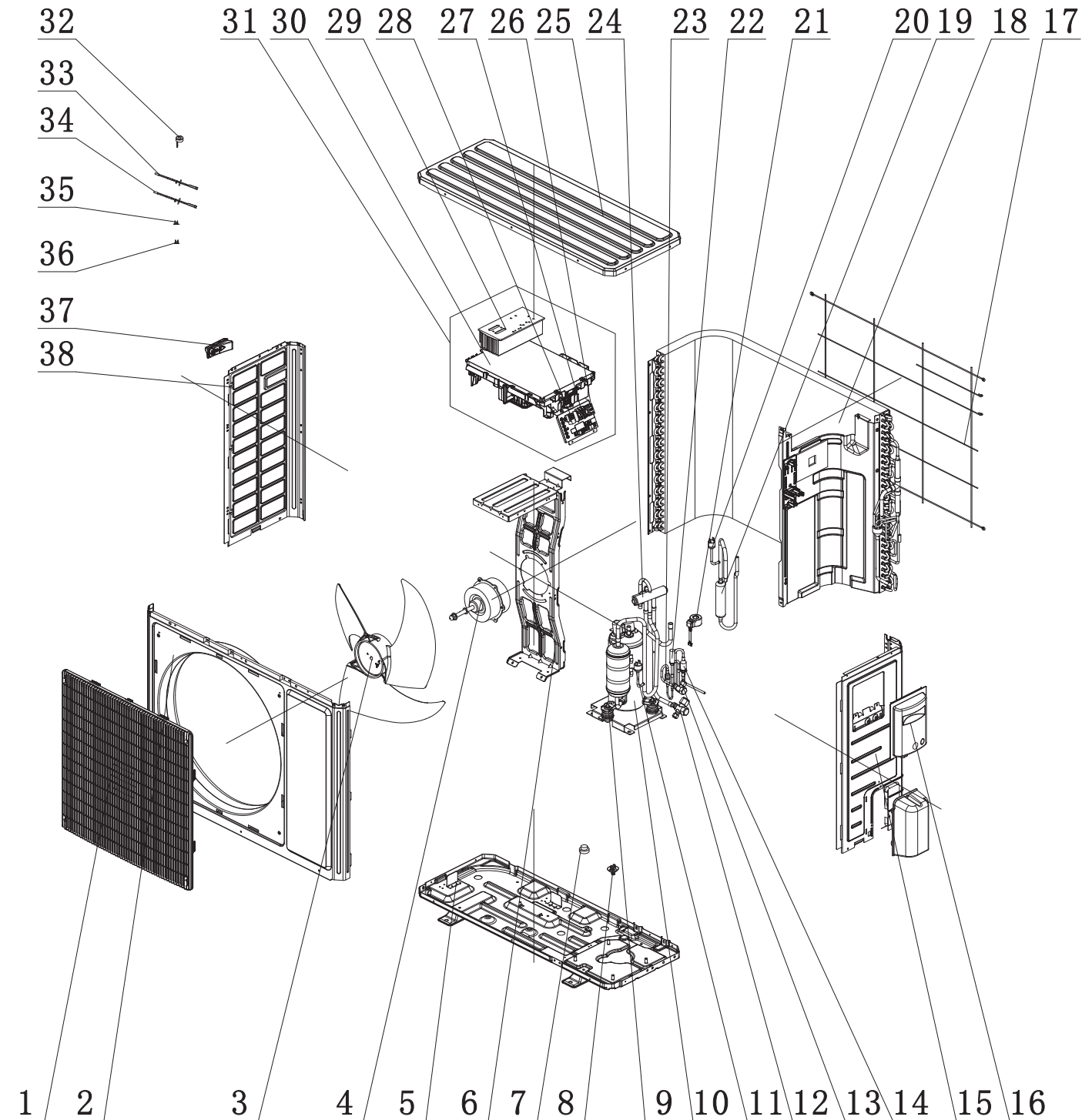
Outdoor R32 U-Match

SPARE PARTS LIST

February 2023

GUD50W/NhB-S

Exploded View



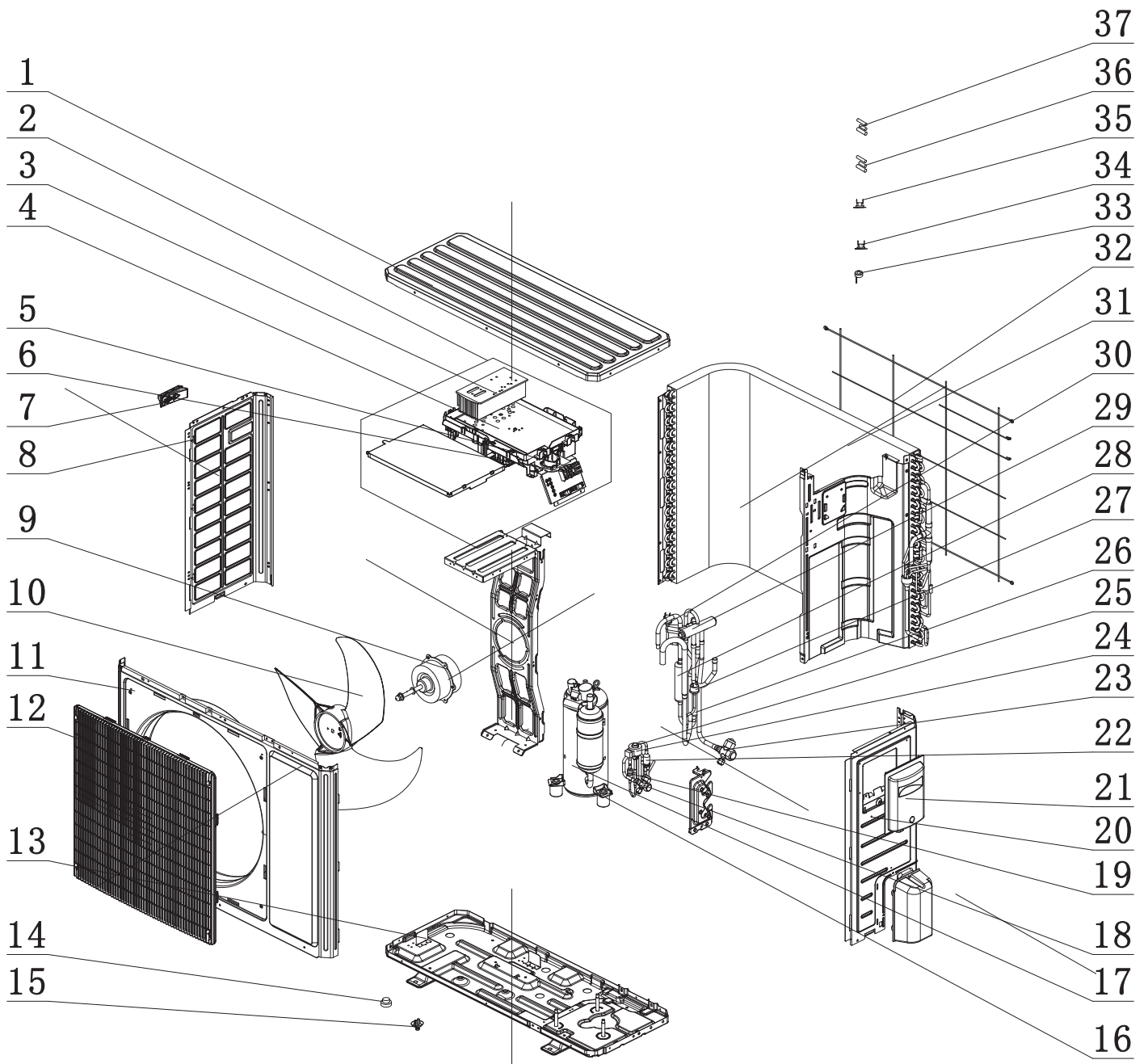
GUD50W/NhB-S

Spare Parts List

No.	Part Description	Part Code
1	Front Grill	22415010
2	Front Panel	01535013P
3	Axial Flow Fan	10335008
4	Fan Motor	1501506402
5	Chassis Sub-assy	017000060559P
6	Motor Support Sub-Assy	01705067
7	Drainage hole Cap	06813401
8	Drainage Connector	06123401
9	Compressor Gasket	009012000022
10	Compressor and Fittings	009001060500
11	Pressure Protect Switch	46020007
12	Cut off Valve 1/4	07130239
13	Cut off Valve 1/2	071302392
14	Strainer	07225088
15	Right Side Plate	0130509001P
16	Handle	2623525404
17	Rear Grill	01475020
18	Condenser Assy	01100200017702
19	Silencer 1	07243050
20	Pressure Protect Switch	4602000603
21	Electric Expand Valve Fitting	07200200001209
22	Electronic Expansion Valve	072009000017
23	Strainer	0721302608
24	4-Way Valve Assy	030152060504
25	Coping Sub-Assy	000051000017
26	Terminal Board	422000000007
27	Terminal Board	42200000002402
28	Socket	N/A
29	Radiator	4901521503
30	Main Board	300027061133
31	Electric Box Assy	100002068927
32	Magnet Coil	4300040078
33	Temperature Sensor	3900007207
34	Temperature Sensor	3900030902
35	Compressor Overload Protector(External)	00183051
36	Compressor Overload Protector(External)	00183032
37	Handle	26233053
38	Left Side Plate	01305093P

GUD71W/NhB-S

Exploded View



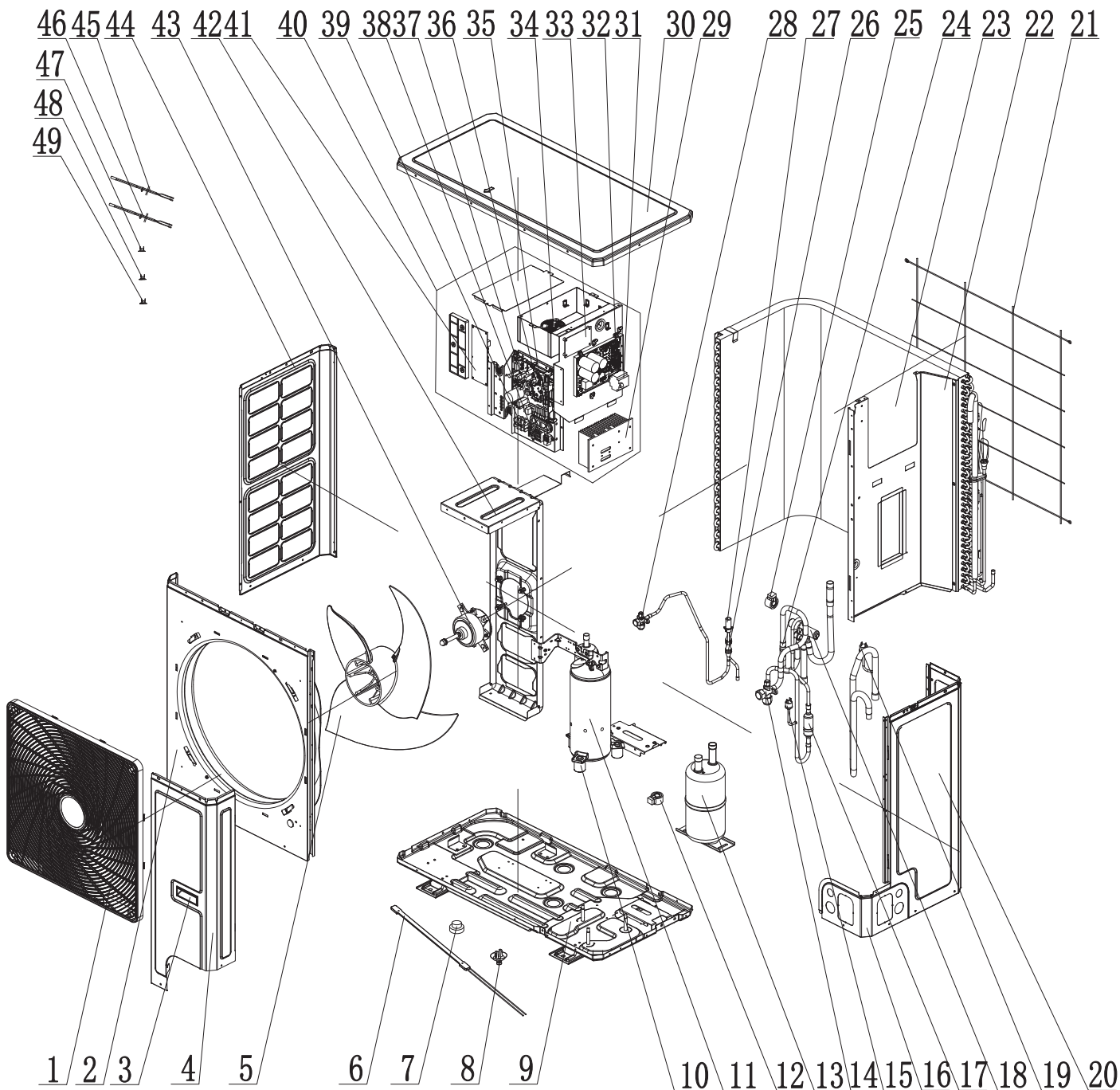
GUD71W/NhB-S

Spare Parts List

No.	Part Description	Part Code
1		
2	Top Cover Sub-Assy	000051000017
3	Electric Box Assy	100002068034
4	Radiator	4901521503
5	Main Board	300027061002
6	Terminal Board	422000000007
7	Terminal Board	42200000002402
8	Handle	26233053
9	Left Side Plate	01305093P
10	Fan Motor	1501506402
11	Axial Flow Fan	10335008
12	Front Panel Assy	01533058
13	Front Grill	22415010
14	Chassis Sub-assy	01205816P
15	Drainage hole Cap	06813401
16	Drainage Connector	06123401
17	Compressor Gasket	009012000004
18	Compressor and Fittings	00900100019501
19	Cut off Valve	071302391
20	Strainer	0721302608
21	Right Side Plate	0130509001P
22	Handle	2623525404
23	Strainer	07225088
24	Cut off Valve	07133844
25	Electric Expand Valve Fitting	4300034401
26	Electronic Expansion Valve	43005016
27	Silencer 2	07243049
28	Pressure Protect Switch	46020007
29	Silencer 1	07243050
30	4-Way Valve Assy	030152060337
31	Pressure Protect Switch	4602000603
32	Condenser Assy	01100200017702_X55046
33	Rear Grill	01475020
34	Magnet Coil	4300040078
35	Compressor Overload Protector(External)	00183031
36	Temperature Sensor	3900007207
37	Temperature Sensor	3900030902

GUD100W/NhB-S

Exploded View



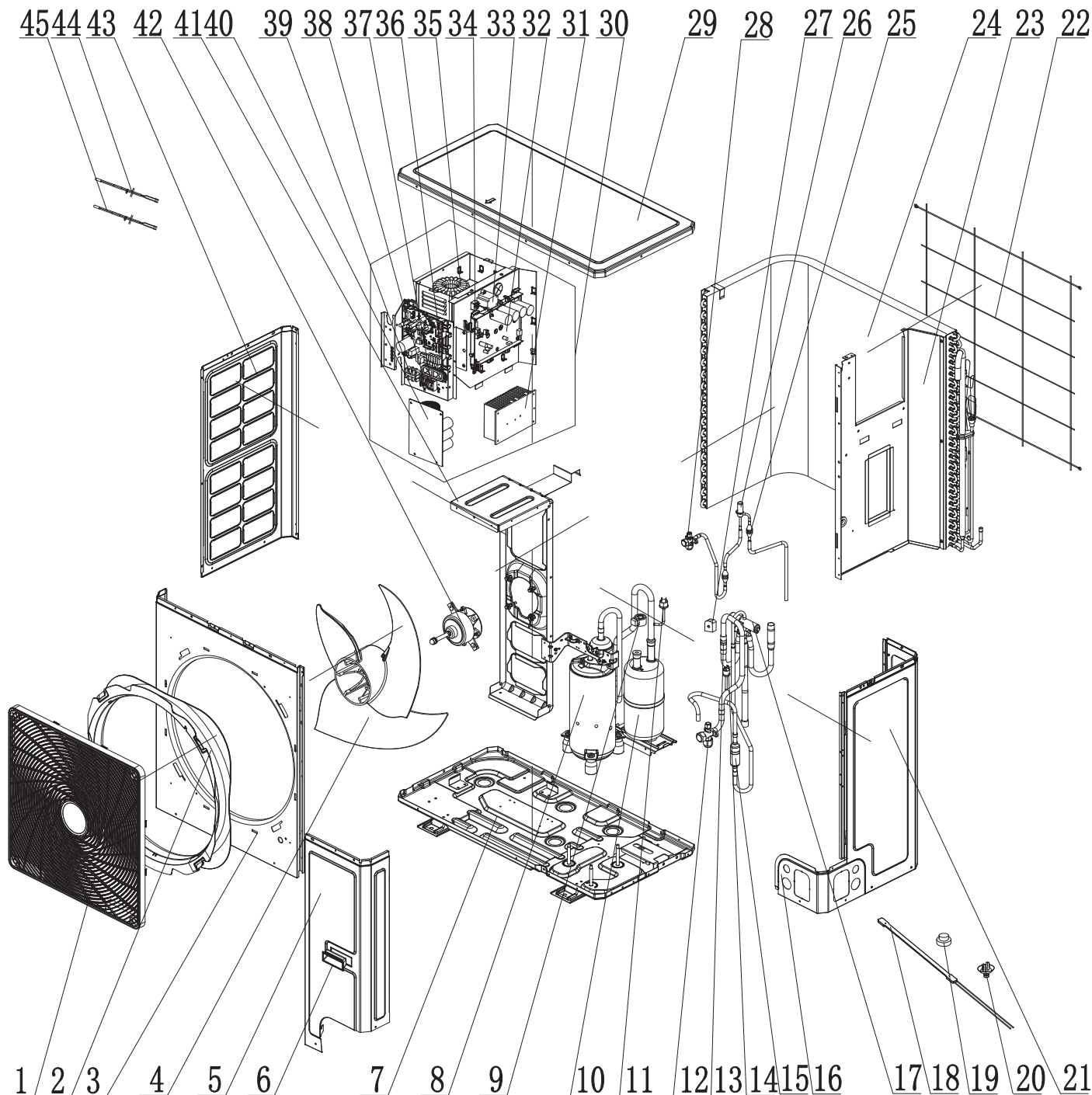
GUD100W/NhB-S

Spare Parts List

No.	Part Description	Part Code
1	Front Grill	01572800003
2	Cabinet	012022000003P
3	Handle	2690410001603
4	Front Side Plate	012050000007P
5	Axial Flow Fan	1043410000801
6	Electric Heater(Compressor)	7651873215
7	Drainage hole Cap	76715005
8	Drainage Joint	26113009
9	Base Plate Sub-Assy	000191060015
10	Compressor Gasket	009012000004
11	Compressor and Fittings	009001060115
12	Electric Expand Valve Fitting	43000344
13	Gas-liquid Separator	07423902
14	Cut off Valve	07334100016
15	Pressure Protect Switch	4602000603
16	Connection Board	01344100070P
17	Silencer	07245012
18	4-way Valve	4300008201
19	Pressure Protect Switch	46020007
20	Rear Side Plate	012076000021P
21	Rear Grill	01574100014
22	Clapboard Sub-Assy	01702106044202
23	Condenser Assy	01100206019001_X55046
24	Filter	07224803
25	Magnet Coil	4300040087
26	Strainer	0721304401
27	Electronic Expansion Valve	072009000018
28	Cut off Valve	071302391
29	Radiator	430034000048
30	Coping	01264100052P
31	Inductance	N/A
32	Main Board	300027060571
33	Power Switch	300012060016
34	PFC Inductance	43120011
35	Socket	N/A
36	Main Board	300027061001
37	Terminal Board	422000000007
38	Terminal Board	42000100000101
39	Terminal Board	42200000001501
40	Electric Box Assy	100002068928
41	Filter Board	300020060028
42	Motor Support Sub-Assy	01701206003901
43	Brushless DC Motor	150104060013
44	Left Side Plate	012055000007P
45	Temperature Sensor	3900007201
46	Temperature Sensor	39008000049G
47	Compressor Overload Protector(External)	00183031
48	Compressor Overload Protector(External)	00183031
49	Compressor Overload Protector(External)	N/A

GUD125W/NhB-S

Exploded View



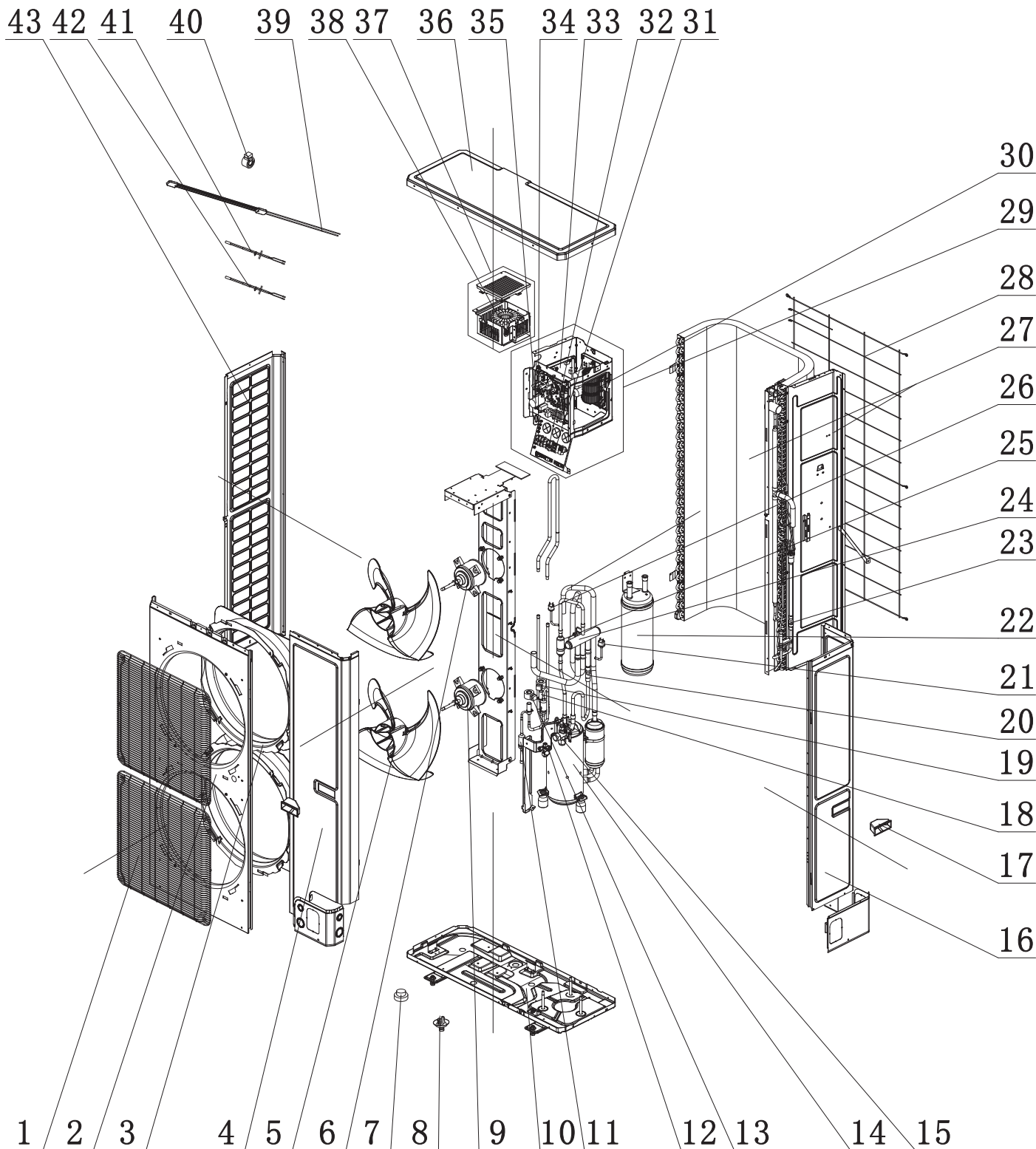
GUD125W/NhB-S

Spare Parts List

No.	Part Description	Part Code
1	Front Grill	01572800003
2	Diversion Circle	10474100003
3	Cabinet	012022000003P
4	Axial Flow Fan	1043410000801
5	Front Side Plate	012050000007P
6	Handle	2690410001603
7	Base Plate Sub-Assy	01700006008901P
8	Compressor and Fittings	009001060077
9	Electric Expand Valve Fitting	4300034401
10	Gas-liquid Separator	07423902
11	Pressure Protect Switch	46020007
12	Cut off Valve	07334100016
13	Filter	07224803
14	Pressure Protect Switch	4602000603
15	Silencer	07245012
16	Connection Board	01344100070P
17	4-way Valve Assy	030152060078
18	Electrical Heater(Compressor)	7651521238
19	Drainage hole Cap	76715005
20	Drainage Joint	26113009
21	Rear Side Plate	012076000021P
22	Rear Grill	01574100014
23	Clapboard Sub-Assy	017021060442
24	Condenser Assy	01100206019001_X55046
25	Strainer	0721304401
26	Electronic Expansion Valve	43005017
27	Magnet Coil	4300040045
28	Cut off Valve	071302391
29	Coping	01264100052P
30	Electric Box Assy	100002067961
31	Radiator	49018000013
32	Main Board	300027060568
33	Inductance	N/A
34	Terminal Board	N/A
35	Inductance	43120122
36	Main Board	300027061001
37	Terminal Board	422000000007
38	Terminal Board	42000100000101
39	Terminal Board	42200000001501
40	Filter Board	300020060007
41	Motor Support Sub-Assy	01701206003901
42	Brushless DC Motor	150104060013
43	Left Side Plate	012055000007P
44	Temperature Sensor	3900007201
45	Temperature Sensor	39008000049G

GUD140W/NhB-S

Exploded View



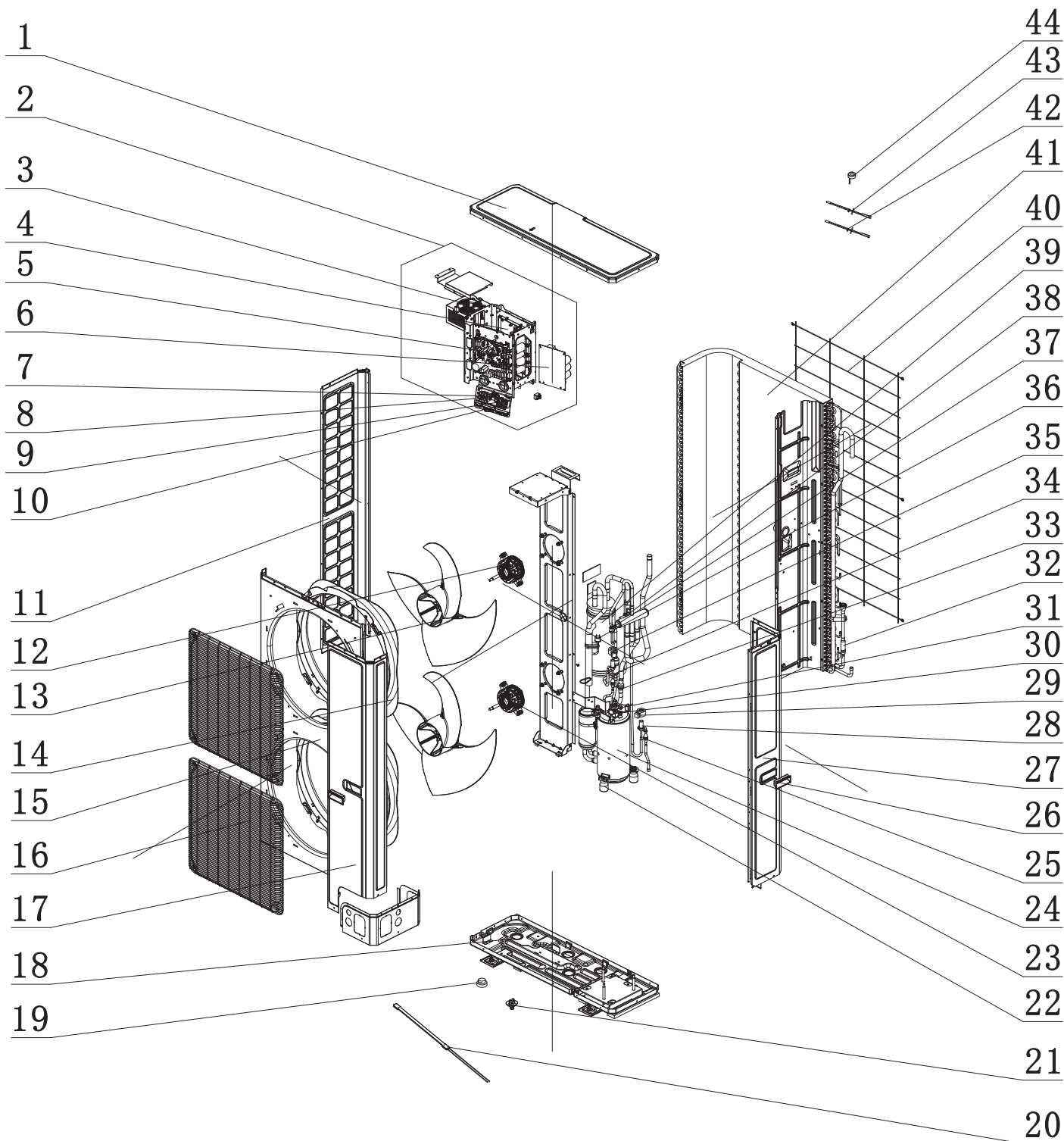
GUD140W/NhB-S

Spare Parts List

No.	Part Description	Part Code
1	Front Grill	016004060002
2	Cabinet	01514100002P
3	Diversion Circle	10474100001
4	Front Side Plate	01314100012P
5	Axial Flow Fan	1043410000301
6	Brushless DC Motor	1570410001305
7	Drainage hole Cap	06813401
8	Drainage Connector	06123401
9	Brushless DC Motor	1570410001306
10	Chassis Sub-assy	017000000342P
11	Strainer	0741410000601
12	Cut off Valve	07330000002
13	Electric Expand Valve Fitting	4300034412
14	Compressor and Fittings	009001060077
15	Cut off Valve	07334100016
16	Rear Side Plate Sub-Assy	017051000057P
17	Handle	26235253
18	Electronic Expansion Valve	43005017
19	Electric Expand Valve Fitting	4300034419
20	Filter	07224803
21	Pressure Protect Switch	46020007
22	Gas-liquid Separator	0722501603
23	Strainer	0721212101
24	4-Way Valve Assy	030152060442
25	Silencer	07245012
26	Pressure Protect Switch	4602000603
27	Condenser Assy	011002061025
28	Rear Grill	01574100004
29	Electric Box Assy	100002068015
30	Filter Board	300020060007
31	Terminal Board	422000000007
32	Terminal Board	42000100000101
33	Main Board	300027061001
34	Terminal Board	42200000001501
35	Main Board	300027060568
36	Coping	01264100008P
37	Inductance Box Assy	01394100545
38	Inductance	43120122
39	Electrical Heater(Compressor)	765152128
40	Magnet Coil	4300040045
41	Temperature Sensor	3900007201
42	Temperature Sensor	3900028025G
43	Left Side Plate	01314100013P

GUD160W/NhB-S

Exploded View



GUD160W/NhB-S

Spare Parts List

No.	Part Description	Part Code
1	Coping	01264100047P
2	Electric Box Assy	100002068849
3	PFC Inductance	43128000015
4	Main Board	300027060568
5	Main Board	300027061001
6	Filter Board	300020060007
7	Terminal Board	42200000001501
8	Socket	N/A
9	Terminal Board	42000100000101
10	Terminal Board	4220000000007
11	Left Side Plate	01314100084P
12	Brushless DC Motor	150104060013
13	Axial Flow Fan	10434100006
14	Diversion Circle	10474100003
15	Cabinet	01514100013P
16	Front Grill	01572800003
17	Front Side Plate	01314100082P
18	Chassis Sub-assy	01700006036801P
19	Drainage hole Cap	76715005
20	electrical heater	7651521216
21	Drainage Joint	26113009
22	Compressor Gasket	009012000013
23	Brushless DC Motor	15010406001302
24	Compressor and Fittings	009001060077
25	Strainer	0721304401
26	Handle	2690410001603
27	Rear Side Plate	01314100083P
28	Electronic Expansion Valve	43005017
29	Electric Expand Valve Fitting	4300034402
30	Cut off Valve	07334100016
31	Cut off Valve	07330000002
32	Strainer	07212403
33	Strainer	07215201
34	Silencer	07245012
35	Electric Expand Valve Fitting	4300034419
36	Pressure Protect Switch	46020007
37	Pressure Protect Switch	4602000603
38	4-Way Valve Assy	030152060506
39	Gas-liquid Separator	07225016
40	Rear Grill	01574100011
41	Condenser Assy	011002060836
42	Temperature Sensor	3900007201
43	Temperature Sensor	3900028025G
44	Magnet Coil	4300040029

It is the policy of Gree Australia to introduce continuous product improvements.
Accordingly, specifications are subject to change without notice.
Please consult with your dealer to confirm the specifications of the model selected.

1800 473 346
greeac.com.au

